



Plan 5 30W

46.5 CUBIC FEET ENCLOSURE

Basic Construction Notes:

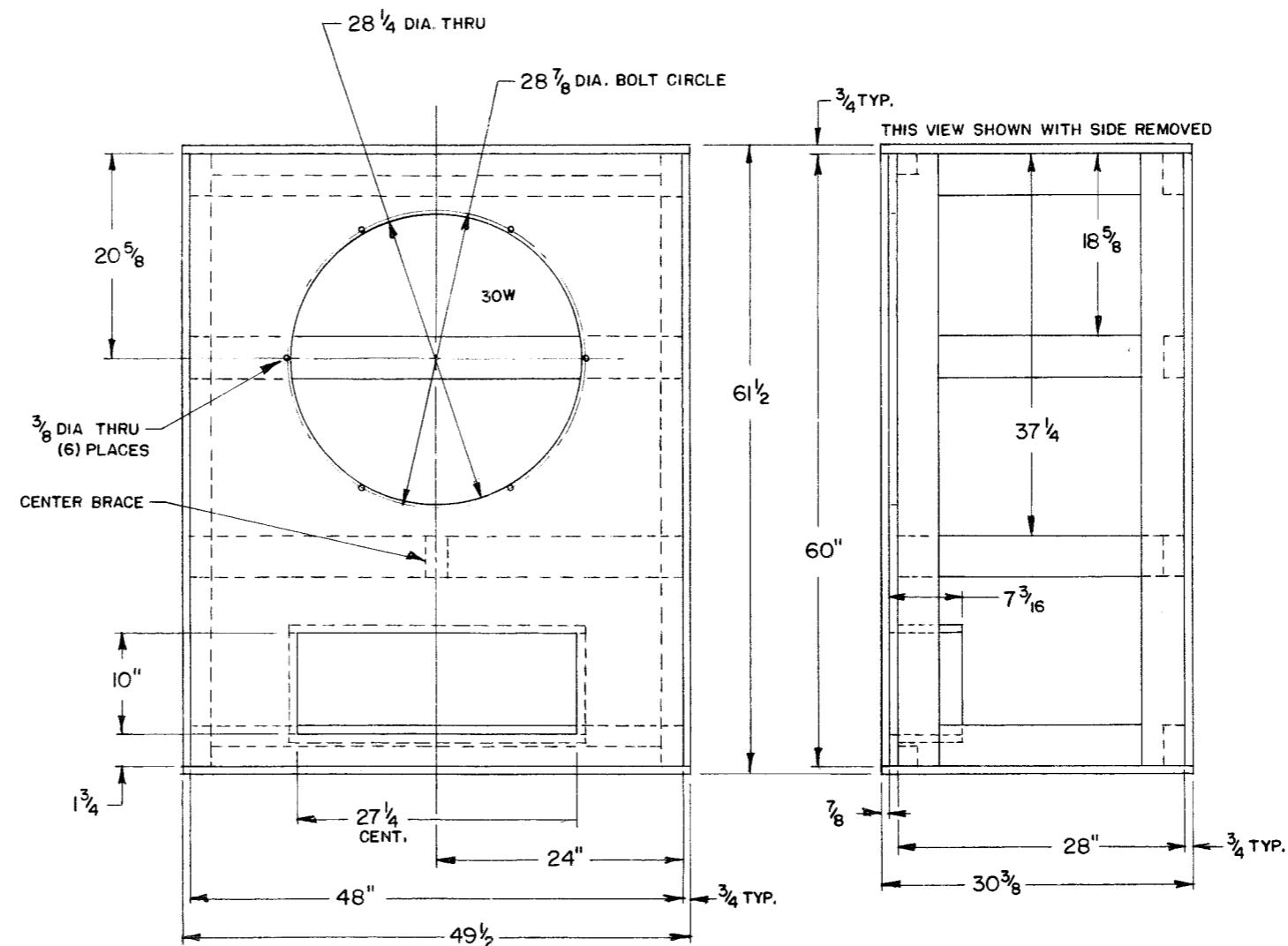
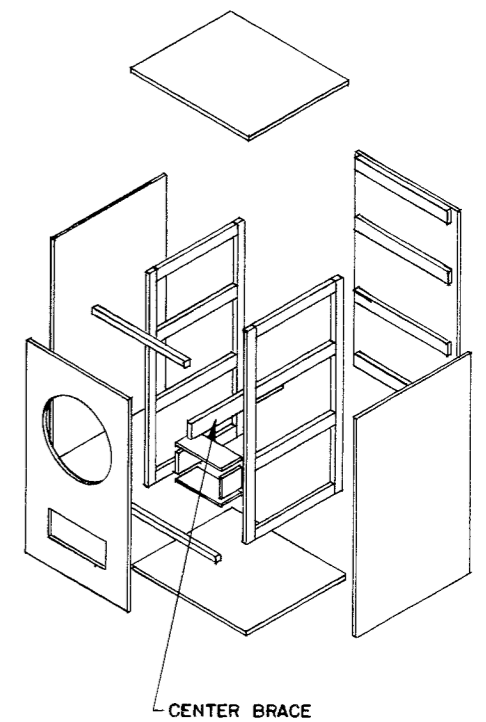
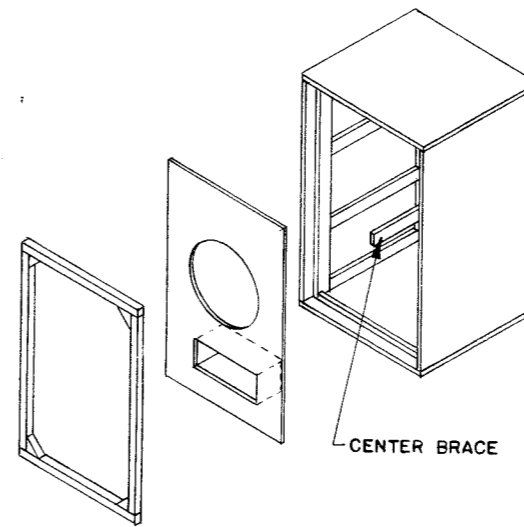
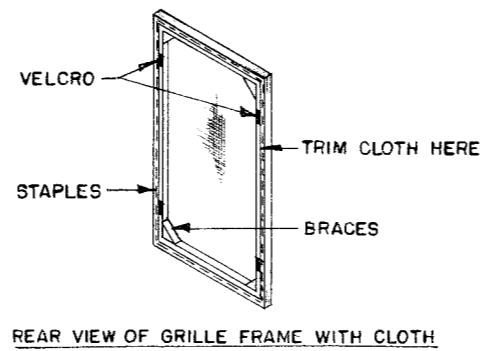
1. Enclosure inside dimensions compensate for the internal volume taken up by the speaker, internal bracing, and the vent.
2. All corners and joints to be securely glued and nailed or screwed.
3. Three mutually adjacent inside surfaces (top, one side, and rear) to be lined with a 2-inch thickness of glass wool or similar acoustic absorptive material. Do not block vent opening.
4. Enclosure material to be 3/4" plywood or particle board.
5. Internal bracing to be 2" x 2" or 2" x 4" material.
6. The front or rear enclosure panel must be removable for installation of the 30W, which must mount to the rear of the front panel. Removable panels should be secured with wood screws and weather stripping tape.
7. For more detailed commentary on construction, see "Electro-Voice Guide to Speaker Enclosure Construction" (Form 1788).

Speaker Installation Notes:

1. The 30W should be mounted on the back side of the front panel. Use #5/16-18 nuts and bolts.

Performance Specifications with 30W:

1. Low-Frequency 3-dB-Down Point: 31 Hz
2. SPL_{MF(max)}: 119 dB
3. SPL_{LF(max)}: 119 dB
4. For definitions and other specifications see Engineering Data Sheet and E-V brochure "How to build an Electro-Voice Component Speaker System. From the ground up."



Electro-Voice[®]

a MARK IV company

600 CECIL STREET, BUCHANAN, MICHIGAN 49107