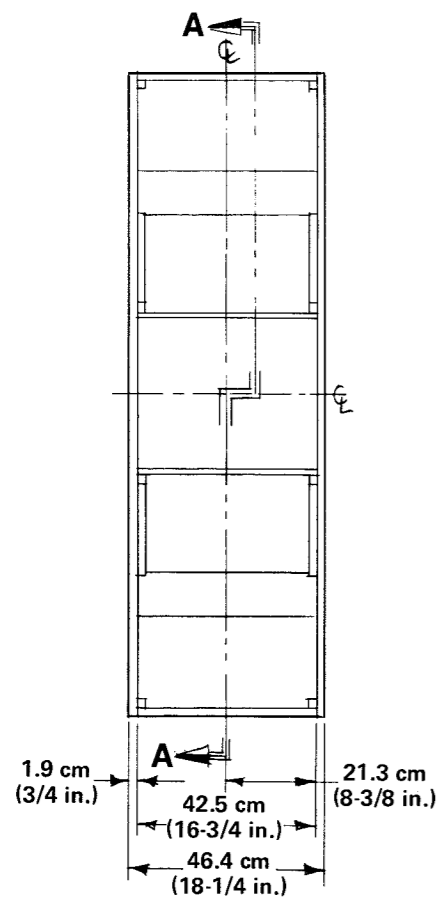
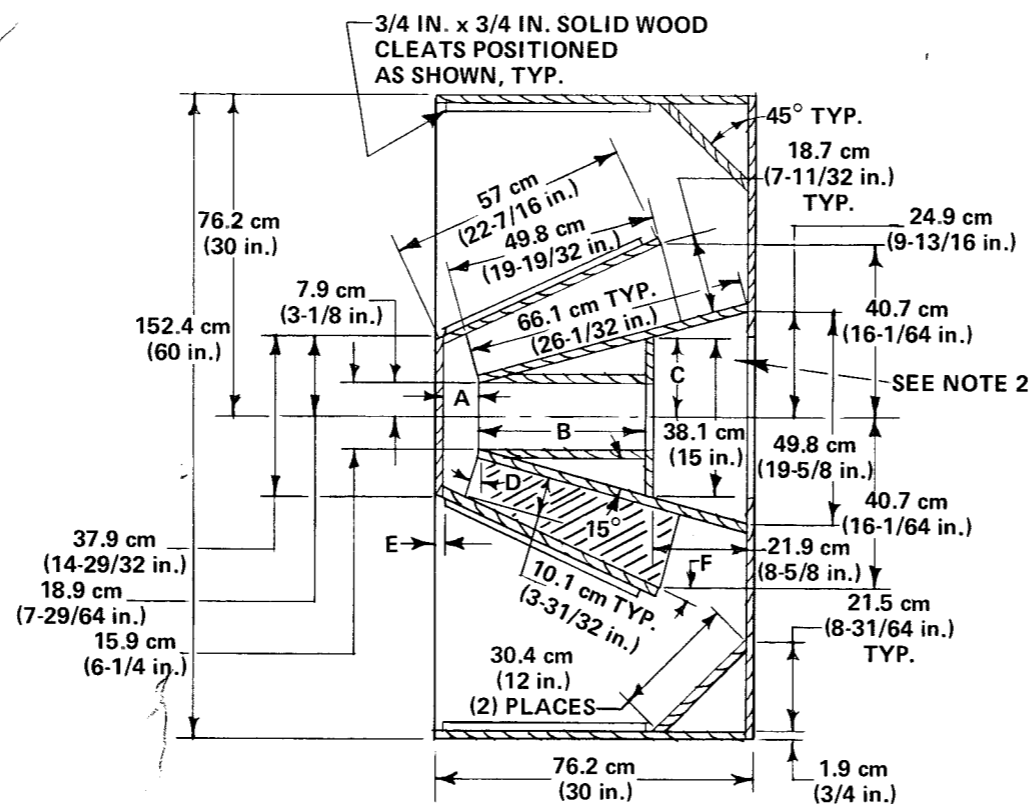


TL4025

BUILDERS PLANS
(1) EVM ■ 15L,
HORN-LOADED BASS BOX

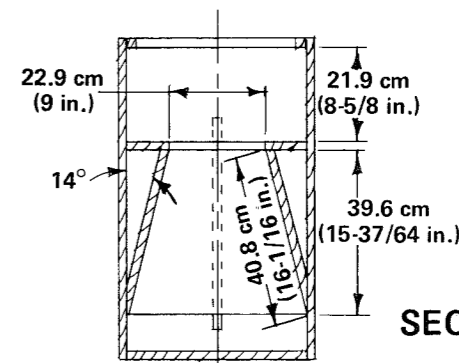
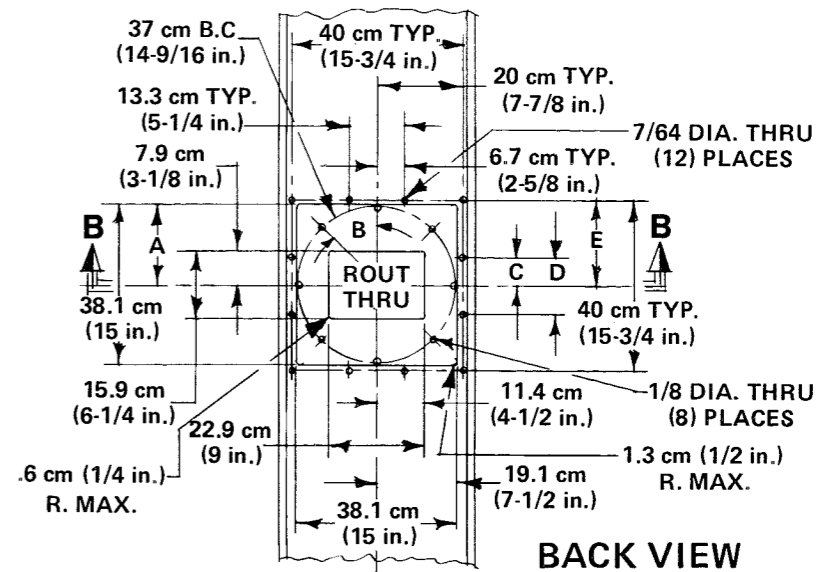


FRONT VIEW

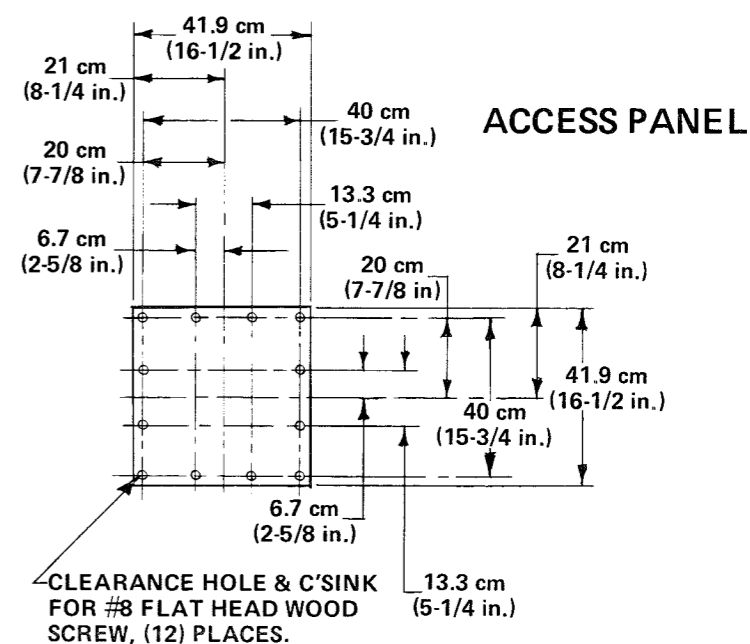


- A - 9 cm (3-35/64 in.)
- B - 39.6 cm (15-37/64 in.)
- C - 19.1 cm (7-1/2 in.)
- D - 15° TYP.
- E - 2.5 cm (1 in.) (8) PLACES
- F - 24° 45' TYP.

SECTION A-A



- A - 19.1 cm (7-1/2 in.)
- B - 45° TYP.
- C - 6.7 cm (2-5/8 in.) TYP.
- D - 13.3 cm (5-1/4 in.) TYP.
- E - 20 cm (7-7/8 in.) TYP.



All Dimensions shown in centimeters and (inches)

NOTES:

- 1 - ALL JOINTS TO BE SECURELY GLUED.
- 2 - ALL AIR CHAMBER JOINTS MUST BE AIR TIGHT.
- 3 - ALL PANELS TO BE 3/4 IN. THICK VOID FREE CORE PLYWOOD.
- 4 - TOLERANCE ± .08 CM (1/32 IN.).
- 5 - AN ADDITIONAL SPEAKER GASKET (PART NUMBER 37320) IS REQUIRED FOR CLEARANCE BETWEEN BAFFLE AND SPEAKER.

Item	Description	Qty.	4025
1	Top & Bottom Panels	2	16-3/4 x 29-1/4
2	Back Panel	1	16-3/4 x 60
3	Corner Brace	2	16-3/4 x 12
4	Air Chamber (Top & Bottom)	2	16-3/4 x 26-1/32
5	Baffle	1	16-3/4 x 15
6	Horn Throat (Top & Bottom)	2	16-3/4 x 15-37/64
7	Outer Horn Throat	2	16-3/4 x 22-7/16
8	Horn End Cap	1	16-3/4 x 14-29/32
9	Access Panel	1	16-1/2 x 16-1/2
10	Side Panel	2	30 x 60
11	Air Chamber Side Panels	2	16-1/16 x 6-1/4
12	Horn Brace	2	19-19/32 x 7-11/32
13	Horn Brace (Center)	0	---

