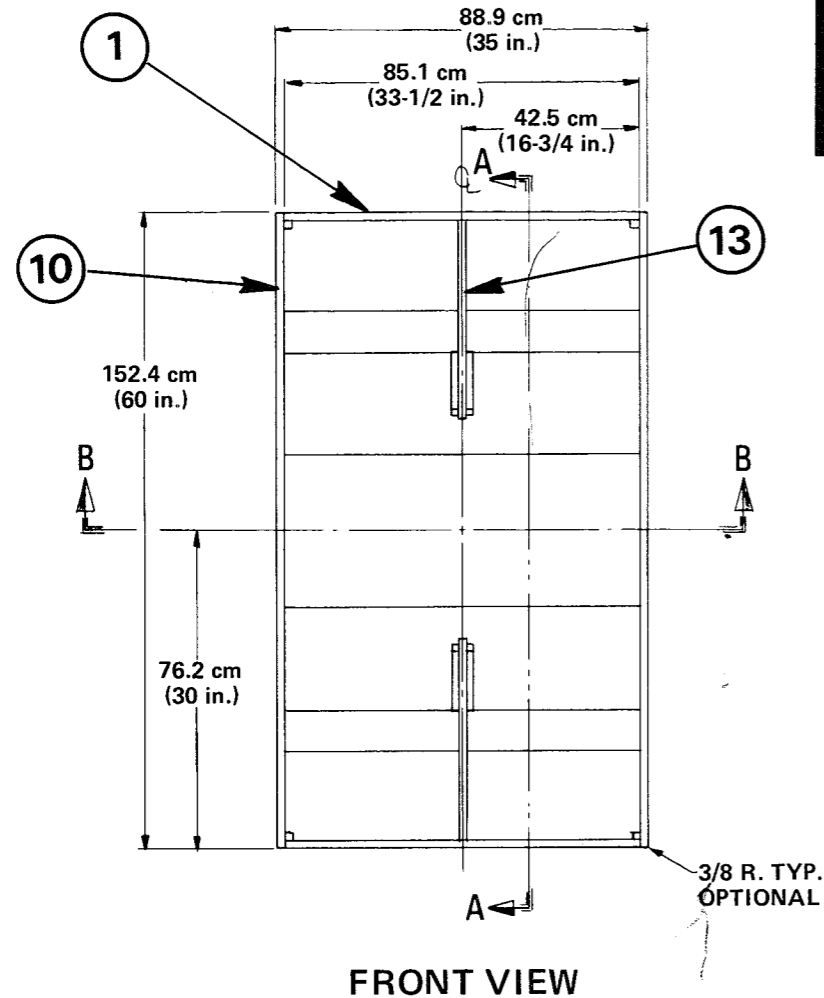
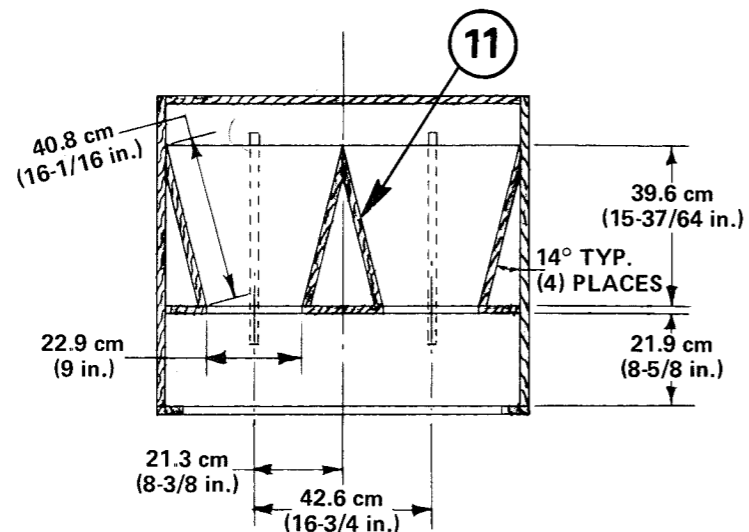


TL4050

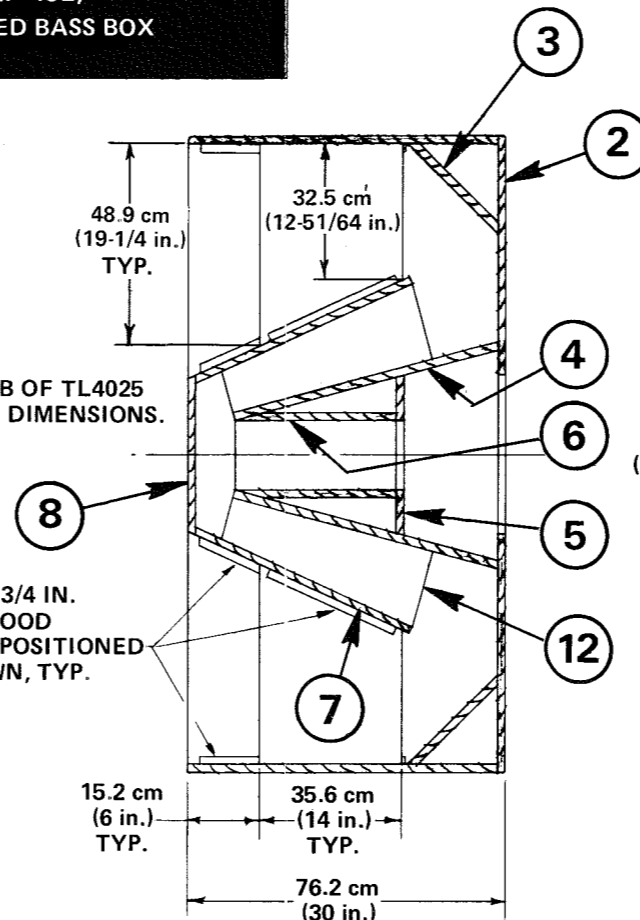
BUILDERS PLANS
(2) EVM = 15L,
HORN-LOADED BASS BOX



FRONT VIEW



SECTION B-B



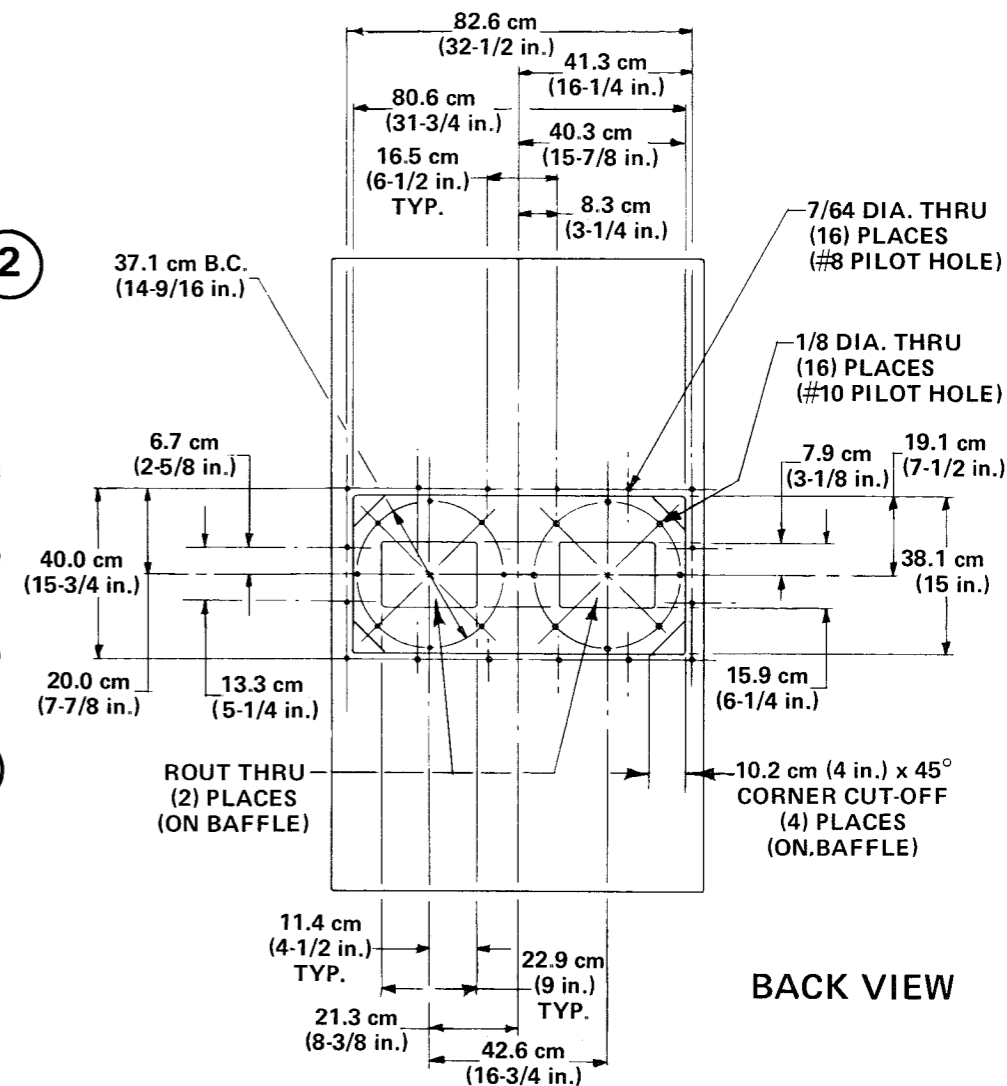
SECTION A-A

NOTE:
SEE SECTION B-B OF TL4025
FOR COMPLETE DIMENSIONS.

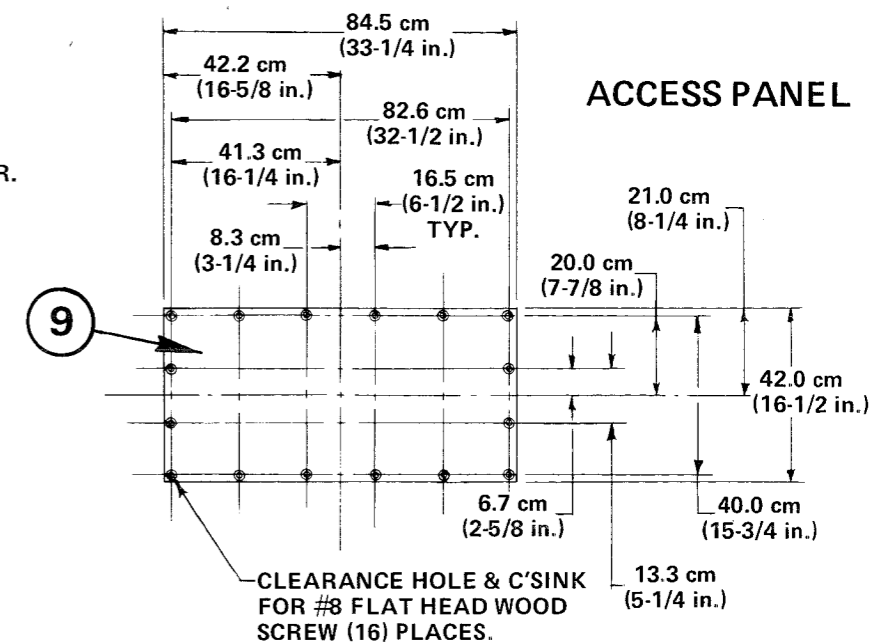
NOTES:

- 1 - ALL JOINTS TO BE SECURELY GLUED.
- 2 - ALL AIR CHAMBER JOINTS MUST BE AIR TIGHT.
- 3 - ALL PANELS TO BE 3/4 IN. THICK VOID FREE CORE PLYWOOD.
- 4 - TOLERANCE $\pm .08$ CM (1/32 IN.).
- 5 - AN ADDITIONAL SPEAKER GASKET (PART NUMBER 37320) IS REQUIRED FOR CLEARANCE BETWEEN BAFFLE AND SPEAKER.

Item	Description	Qty.	4050
1	Top & Bottom Panels	2	33-1/2 x 29-1/4
2	Back Panel	1	33-1/2 x 60
3	Corner Brace	2	33-1/2 x 12
4	Air Chamber (Top & Bottom)	2	33-1/2 x 26-1/32
5	Baffle	1	33-1/2 x 15
6	Horn Throat (Top & Bottom)	2	33-1/2 x 15-37/64
7	Outer Horn Throat	2	33-1/2 x 22-7/16
8	Horn End Cap	1	33-1/2 x 14-29/32
9	Access Panel	1	33-1/4 x 16-1/2
10	Side Panel	2	30 x 60
11	Air Chamber Side Panels	4	16-1/16 x 6-1/4
12	Horn Brace	4	19-19/32 x 7-11/32
13	Horn Brace (Center)	2	14 x 19-1/4



BACK VIEW



ACCESS PANEL

All Dimensions shown in centimeters and (inches).



Electro-Voice®

600 CECIL STREET, BUCHANAN, MICHIGAN 49107